



Flex is a must for any kind of store. It offers maximum transparency and guarantees the preservation of all types of fresh products: dairy, cold cuts, fruit & veg, delicatessen, patisserie, packed meat and packed fish. It can be customized in colour and cladded to fit the individual store. The flex cabinet is Eco-Friendly using natural refrigerant R290 and energy efficient.

- High visibility
- Energy efficient
- Multiplexable
- Equipped with castor wheels on request for easy movement within the store



MINI | B | B+1 | B+2 | B GL | B+1 GL | B+2 GL

Available versions:

MINI H.1000 mm, B H. 990mm, B+1 H. 1100mm, B+2 H.1230mm

Available lengths:

805mm (MINI), 1250 mm

Dimensions:

Display Depth 585mm (MINI), 890mm

Temperature class: 3M1/3M0

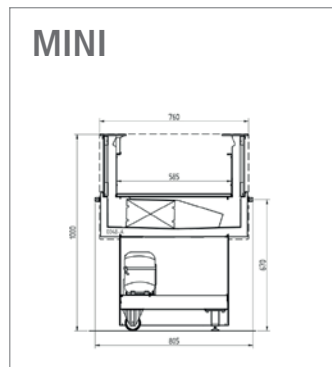
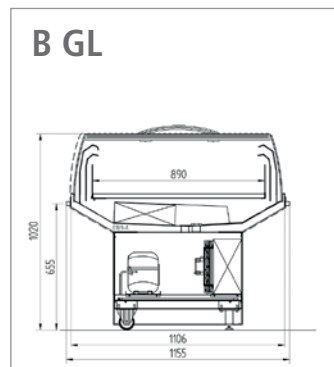
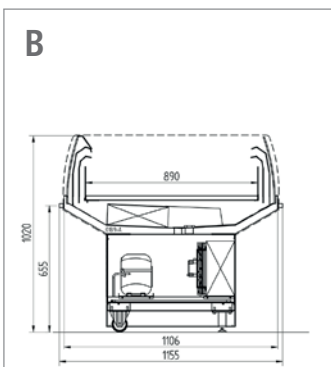
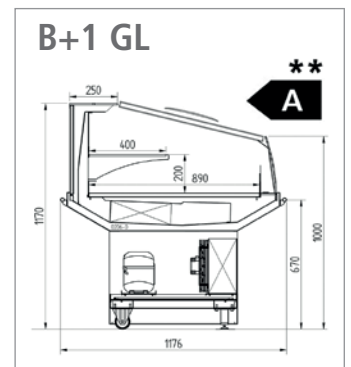
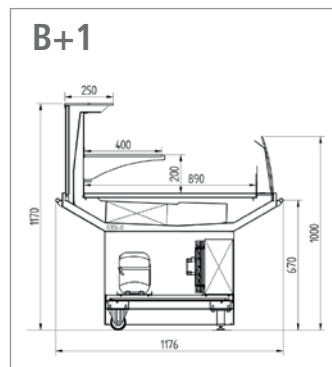
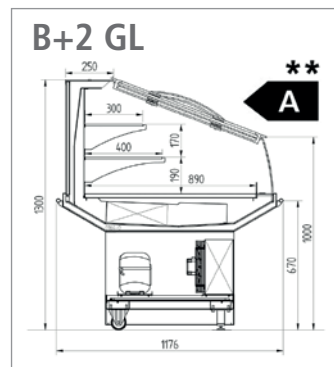
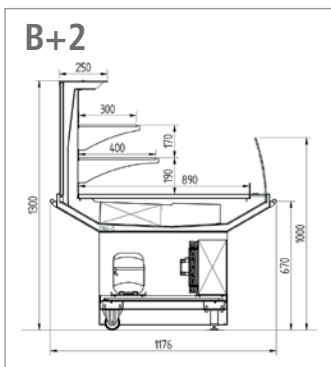
Plug-in: R290*

Standard features:

- Transparent rear wall and sides
- Display in stainless steel AISI 304
- Electronic control
- Glass shelves
- Stainless steel bumper rail on all sides
- Exterior colour RAL 9005

Options:

- Sliding covers (double-pane on B+1 and B+2 to prevent condensation)
- Interior and exterior in RAL colour on request
- Kit 4 castor wheels, 2 with brakes
- Price trim holder



** The energy class information given here refers to standard models and precise product configurations and fittings.

Energy class A information given here refers to standard models with sliding glass covers.

Other configurations may result in a significant change in the energy class information.